

Nominal Size W x H x D (in)	Actual Size W x H x D (in)	Part Number	Capacity (CFM)	Resistance (in W.G.)	Media Area (sq ft)	Carton Qty	Weight per Carton (lbs)
24 x 24 x 12	23-3/8 x 23-3/8 x 11-1/2	112-670-001	2000	0.59	55	1	24
12 x 24 x 12	11-3/8 x 23-3/8 x 11-1/2	112-670-002	1000	0.59	24	2	24
24 x 24 x 6	23-3/8 x 23-3/8 x 5-7/8	112-670-003	1000	0.59	29	2	24
12 x 24 x 6	11-3/8 x 23-3/8 x 5-7/8	112-670-004	500	0.59	13	4	25
20 x 20 x 12	19-3/8 x 19-3/8 x 11-1/2	112-670-005	1400	0.59	37	1	15
20 x 24 x 12	19-3/8 x 23-3/8 x 11-1/2	112-670-006	1667	0.59	44	1	18
20 x 20 x 6	19-3/8 x 19-3/8 x 5-7/8	112-670-007	834	0.59	24	2	24
20 x 24 x 6	19-3/8 x 23-3/8 x 5-7/8	112-670-008	700	0.59	20	2	24

Standard Construction:

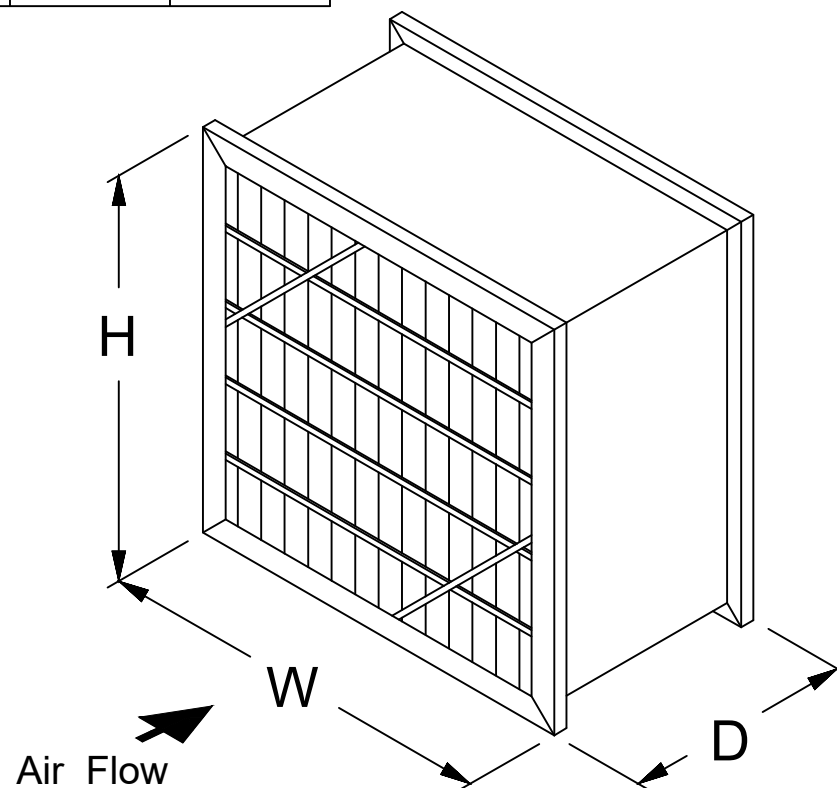
- 100% Synthetic High Efficiency Media
- Rust Resistant Expanded Metal Support on Downstream Side
- Frame: 26 gage Galvanized Cellsides
- Sealant: Waterbased Adhesive
- Galvanized Steel Crossbraces (Upstream and Downstream)
- Pleat Spacers: Plastic Fingers

Specifications:

- MERV 15 (ASHRAE Standard 52.2-2017)
- Final Resistance: 1.5" W.G.
- Rated Velocity: 500 FPM - 12" Deep
- Rated Velocity: 250 FPM - 6" Deep
- Classified per UL Standard 900
- Maximum Operating Temperature: 180 F (82 C)
- Tolerance: Height & Width - +0 / -1/8"
- Tolerance: Depth - +0 / -1/16"

Notes:

- All Dimensions are in Inches Unless Otherwise Noted
- Drawing Not To Scale



**Multi-Flo SBM
Series S - MERV 15
(Double Header)**

REV
LTR

REVISION

BY /
DATE

8401 Air Commerce Drive - Louisville KY 40219
Phone: (502) 634-4796 FAX: (502) 637-2280

Drawn By: Brent Chamberlain
Date: October 17, 2022

Revision